



## SPECIFICATION

All Specifications Typical At Nominal Line, Full Load, 25°C Unless Otherwise Noticed

GENERAL						
Characteristics	Conditions		min.	typ.	max.	unit
Switching frequency	Vi nom, lo nom			40		KHz
Isolation voltage	Input-Output		3,000 / 4,242			VAC / VDC
	Input-PE		1,768 / 2,500			VAC / VDC
	Output-PE		500 / 710			VAC / VDC
Isolation resistance	Input-Output, @ 500VDC		100			MΩ
Ambient temperature	Operating at Vi nom		-40		+ 71	°C
Derating (see derating curve)	Vi nom, from +61 to +71°C				2.5	% / °C
Storage temperature	Non operational		-40		+ 85	°C
Relative humidity	Vi nom, lo nom		20		95	% RH
Temperature coefficient	Vi nom, lo min				± 0.03	% / °C
MTBF	Bellcore Issue 6 @40°C, GB	24V		459,000		Hours
		48V		520,000		Hours
Altitude during operation	EN 62368-1				5,000	m
Dimension	Screw terminal type				L124.5 x W83.5 x D123.6	mm
Cooling	Free air convection					
Installation position	Vertical ( other direction may derating using )					
Pollution degree					2	

INPUT SPECIFICATIONS						
Characteristics	Conditions		min.	typ.	max.	unit
Rated input voltage	lo nom		115 / 230 (auto select)			VAC
Absolute input max. range	Ta min ... Ta max, lo nom	AC in   115 V selected	90		132	VAC
		AC in   230 V selected	180		264	VAC
		DC in	210		375	VDC
Input current	Vi : 115 / 230 VAC, lo nom			4.0 / 1.55		A
Rated input current	Vi : 90 / 180 VAC, lo nom				5.4 / 2.2	A
Line frequency	Vi nom, lo nom		47		63	Hz
Inrush current	Vi : 115 / 230 VAC , lo nom				30 / 60	A
Power dissipation	Vi : 230 VAC, lo nom	24V		35		W
		48V		32		W
Leakage current	Input-Output				0.25	mA
	Input-PE				3.5	mA
Power factor (Passive)	Vi : 230VAC, lo nom			0.7		

OUTPUT SPECIFICATIONS						
Characteristics	Conditions		min.	typ.	max.	unit
Output voltage accuracy (Adjusted before shipment)	Vi nom, lo max				± 1	%
Minimum load	Vi nom		0			%
Line regulation	lo nom, Vi min ...Vi max				± 0.5	%
Load regulation	Vi nom, lo min ...lo nom				± 1	%
Voltage trim range	Vi nom, 0.8 lo nom	24V	22.5		28.5	VDC
		48V	47		56	VDC
Hold up time	Vi : 115 / 230 VAC , lo nom		25 / 30			ms
Turn on time	Vi nom, lo nom				2,500	ms
	Vi nom, lo nom → with 7000 μF CAP				2,500	ms
Rise time	Vi nom, lo nom				150	ms
	Vi nom, lo nom → with 7000 μF CAP				500	ms
Fall time	Vi nom, lo nom				150	ms
Transient recovery time	Vi nom, 1~0.5 lo nom				2	ms

## SPECIFICATION

All Specifications Typical At Nominal Line, Full Load, 25°C Unless Otherwise Noticed

### OUTPUT SPECIFICATIONS

Characteristics	Conditions	min.	typ.	max.	unit
Ripple & noise	Vi nom, Io nom, BW = 20MHz			100	mV
Power back immunity	Vi nom, Io nom	24V	35		VDC
		48V	63		VDC
Capacitor load	Vi nom, Io nom			7,000	μF
DC ON indicator threshold at start up (Green LED)	Vi nom, Io nom	24V	21.2	22.2	VDC
		48V	42.8	43.8	VDC
DC LOW indicator threshold after start up (Red LED)	Vi nom, Io nom	24V	21.1	22.1	VDC
		48V	42.7	43.7	VDC

### CONTROL AND PROTECTION

Characteristics	Conditions	min.	typ.	max.	unit
Input fuse		T6.3A / 250VAC internal			
Internal surge voltage protection	IEC 61000-4-5	Varistor			
Rated over load protection	Vi nom	105		125	%
Power Rdy	Rdy Close indicator threshold at start up	24V	21.2	22.2	VDC
		48V	42.8	43.8	VDC
Power Rdy	Rdy Open indicator threshold after start up	24V	21.1	22.1	VDC
		48V	42.7	43.7	VDC
	Electrical isolation	500			VDC
	Contact rating at 60VDC			0.3	A
Over voltage protection	Vi nom, 0.8 Io nom (Auto Recovery)	24V	30	33	V
		48V	60	66	V
Output short circuit		Fold forward			
Degree of protection		IP20			

### APPROVALS AND STANDARDS

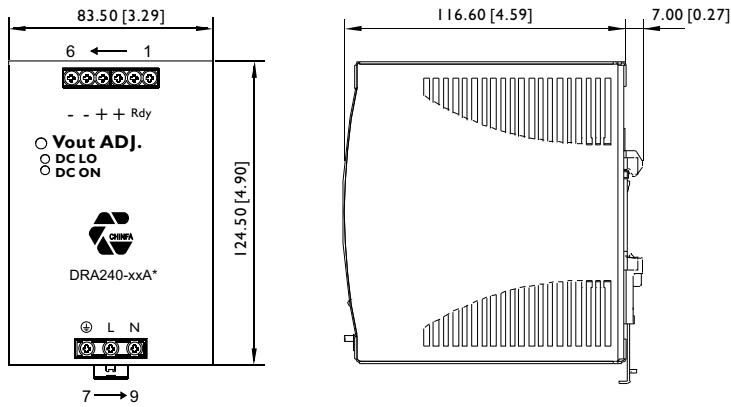
UL / cUL	UL 508 Listed UL 60950-1 Recognized ISA 12.12.01 (Class I, Division 2, Groups A, B, C and D)
TUV	BS EN / EN 62368-1 EN 61558-1, EN 61558-2-16 (meet EN 60204-1)
cTUVus	UL 62368-1
CE	BS EN / EN 61000-6-3, BS EN / EN 55032 Class B, BS EN / EN 61000-3-2 Class A/D, BS EN / EN 61000-3-3 BS EN / EN 61000-6-2, BS EN / EN 55035, BS EN / EN 61000-4-2 Level 4, BS EN / EN 61000-4-3 Level 3 BS EN / EN 61000-4-4 Level 4, BS EN / EN 61000-4-5 Level 4 BS EN / EN 61000-4-6 Level 3, BS EN / EN 61000-4-8 Level 4, BS EN / EN 61000-4-11 DD ENV / ENV 50204 Level 2, BS EN / EN 61204-3, CISPR 32
CCC	GB4943.1, GB/T9254.1, GB17625.1
Vibration resistance	meet IEC 60068-2-6 (Mounting on rail : 10-500 Hz, 2G, along X, Y, Z each Axis, 60 min for each Axis)
Shock resistance	meet IEC 60068-2-27 (15G, 11ms, 3 Axis, 6 Faces, 3 times for each Face)

### PHYSICAL CHARACTERISTICS

Case size	124.5 x 83.5 x 123.6 mm (4.9x 3.29 x 4.87 inches)
Case material	Metal
Weight	1380 g
Packing	1.5 kg ; 16pcs / 25 kg / 2.01 CUFT

## MECHANISM & PIN CONFIGURATION

mm [inch]



### CONSTRUCTION

Easy snap-on mounting onto the DIN-Rail (TS35/7.5 or TS35/15), unit sits safely and firmly on the rail.

### INSTALLATION

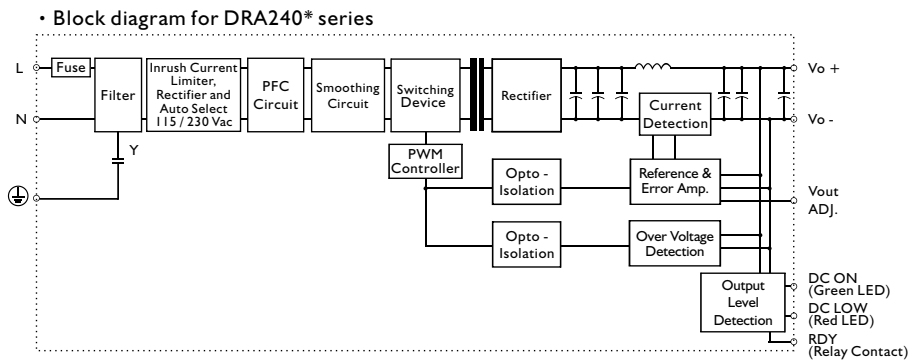
Ventilation / Cooling  
Normal convection  
All sides 25mm free space  
For cooling recommended  
Connector size range  
Screw terminal:  
AWG24-10(0.2~4mm<sup>2</sup>) flexible / solid cable,  
-Input connector can withstand torque at maximum 9 pound-inches.  
-Output connector can withstand torque at maximum 5.5 pound-inches.  
8 m/m stripping at cable end recommends  
Use copper conductors only, 60 / 75°C

GENERAL TOLERANCE	
0.00[0.00] - 30.00[1.18]	±0.30[0.01]
30.00[1.18] - 120.00[4.72]	±0.50[0.02]
120.00[4.72] - 400.00[15.75]	±0.80[0.03]

## PIN ASSIGNMENT

PIN NO.	Designation	Description
1, 2	OUT	RDY
3, 4		V +
5, 6		V -
7	IN	⊕
8		L
9	N	Input terminals (neutral conductor, no polarity at DC input)
	OTHER	DC ON
		DC LO
		Vout ADJ.

## CIRCUIT SCHEMATIC



## DERATING CURVE

