

KAS05 SERIES

AC - DC POWER MODULE
5W SINGLE OUTPUT



FEATURES

- AC/DC POWER MODULE
- UNIVERSAL INPUT 75 ~ 265 VAC, 47 - 440Hz
- HIGH EFFICIENCY UP TO 78%
- SHORT CIRCUIT PROTECTION
- COMPLY WITH ErP
- 3 YEARS WARRANTY



MODEL LIST

MODEL NO.	INPUT VOLTAGE	OUTPUT WATTAGE	OUTPUT VOLTAGE	OUTPUT CURRENT	EFF. (min.)	EFF. (typ.)	EFF. (avg.)	CAPACITOR LOAD (max.)
Single Output Models								
KAS0503	75~265 VAC	5 WATTS	+ 3.3 VDC	1500 mA	68%	70%	68%	7000 μ F
KAS0505	75~265 VAC	5 WATTS	+ 5 VDC	1000 mA	70%	72%	69%	7000 μ F
KAS0509	75~265 VAC	5 WATTS	+ 9 VDC	560 mA	72%	74%	73%	2200 μ F
KAS0512	75~265 VAC	5 WATTS	+ 12 VDC	420 mA	74%	76%	73%	1500 μ F
KAS0515	75~265 VAC	5 WATTS	+ 15 VDC	340 mA	74%	76%	73%	1000 μ F
KAS0524	75~265 VAC	5.5 WATTS	+ 24 VDC	230 mA	76%	78%	73%	470 μ F

SPECIFICATION

All Specifications Typical At Nominal Line, Full Load, 25°C Unless Otherwise Noticed

GENERAL					
Characteristics	Conditions	min.	typ.	max.	unit
Switching frequency	Vi nom, Io nom		132		KHz
Isolation voltage	Input - Output	3,000/4,242			VAC/VDC
Isolation resistance	Input - Output, @ 500VDC	100			M Ω
Ambient temperature	Operating at Vi nom, Io nom	-40		+ 71	°C
Case temperature	Operating at Vi nom, Io nom			+ 85	°C
Derating	Vi nom, +61 to + 71°C			4	%/°C
Storage temperature	Non operational	-40		+100	°C
Relative humidity	Vi nom, Io nom	20		95	% RH

KAS05 SERIES

AC - DC POWER MODULE

SPECIFICATION

All Specifications Typical At Nominal Line, Full Load, 25°C Unless Otherwise Noticed

GENERAL						
Characteristics	Conditions		min.	typ.	max.	unit
Temperature coefficient	Vi nom, Io min				± 0.03	% / °C
MTBF	Bellcore issue 6 @40°C, GB	3.3V		1,375,000		Hours
		5V & 9V		1,433,000		Hours
		12V & 15V		1,462,000		Hours
		24V		1,420,000		Hours
Altitude during operation	IEC 60068-2-13				4,850	m
Dimension			L50.8 x W25.4 x H15.16			mm
Cooling	Free air convection					

INPUT SPECIFICATIONS						
Characteristics	Conditions		min.	typ.	max.	unit
Rated input voltage	Io nom		100		240	VAC
Input voltage range	Ta min ... Ta max, Io nom	AC in	75		265	VAC
		DC in	105		375	VDC
Input current	Vi : 115 / 230 VAC, Io nom			110 / 70		mA
Rated input current	Vi : 85 VAC, Io nom				200	mA
Line frequency	Vi nom, Io nom		47		440	Hz
Inrush current	Vi : 115 / 230 VAC, Io nom				10/18	A
Leakage current	Input - Output				0.25	mA
Standby power consumption	Vi nom, Io = No Load				0.3	W

OUTPUT SPECIFICATIONS						
Characteristics	Conditions		min.	typ.	max.	unit
Output voltage accuracy	Vi nom, Io nom				± 2	%
Minimum load	Vi nom		0			%
Line regulation	Io nom, Vi min ... Vi max				± 1	%
Load regulation	Vi nom, Io min ... Io nom				± 2	%
Hold up time	Vi: 115/230 VAC, Io nom		15 / 30			ms
Turn on time	Vi nom, Io nom				1,000	ms
Rise time	Vi nom, Io nom				150	ms
Fall time	Vi nom, Io nom				150	ms
Transient recovery time	Vi nom, I ~ 0.5 Io nom				2	ms
Ripple & noise	Vi nom, Io nom, BW = 20MHz				100	mV
Efficiency	Vi nom, Io nom, Po / Pi		Up to 78%, See model list and typ efficiency curve			

CONTROL AND PROTECTION						
Characteristics	Conditions		min.	typ.	max.	unit
Input fuse			T1A / 250VAC internal			
Output short circuit			Hiccup mode			
Rated over load protection	Vi nom (see typ current limited curve)		110		180	%

SPECIFICATION

All Specifications Typical At Nominal Line, Full Load, 25°C Unless Otherwise Noticed

APPROVALS AND STANDARDS

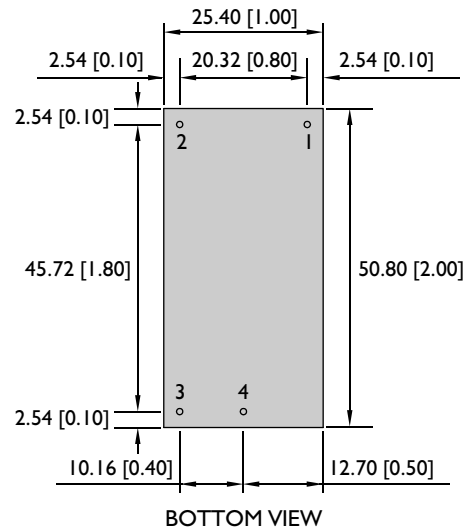
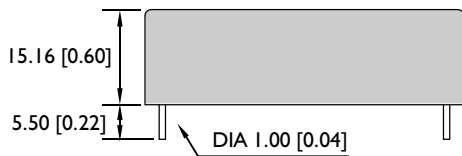
cTUVus	UL 62368-1
TUV	EN 62368-1
CE	EN 61000-6-3, EN 55032 Class B, EN 61000-3-2, EN 61000-3-3 EN 61000-6-2, EN 55024, EN 61000-4-2, EN 61000-4-3 EN 61000-4-4, EN 61000-4-5, EN 61000-4-6, EN 61000-4-8 EN 61000-4-11, EN 61204-3
Vibration resistance	meet IEC 60068-2-6 (10-500 Hz, 2G, along X, Y, Z each Axis, 60 min for each Axis)
Shock resistance	meet IEC 60068-2-27 (15G, 11ms, 3 axes, 6 Faces, 3 times for each Face)

PHYSICAL CHARACTERISTICS

Case size	50.8 x 25.4 x 15.16mm (2.0 x 1.0 x 0.6 inches)
Case material	Plastic
Weight	36g
Potting material	Epoxy

MECHANISM & PIN CONFIGURATION

mm [inch]



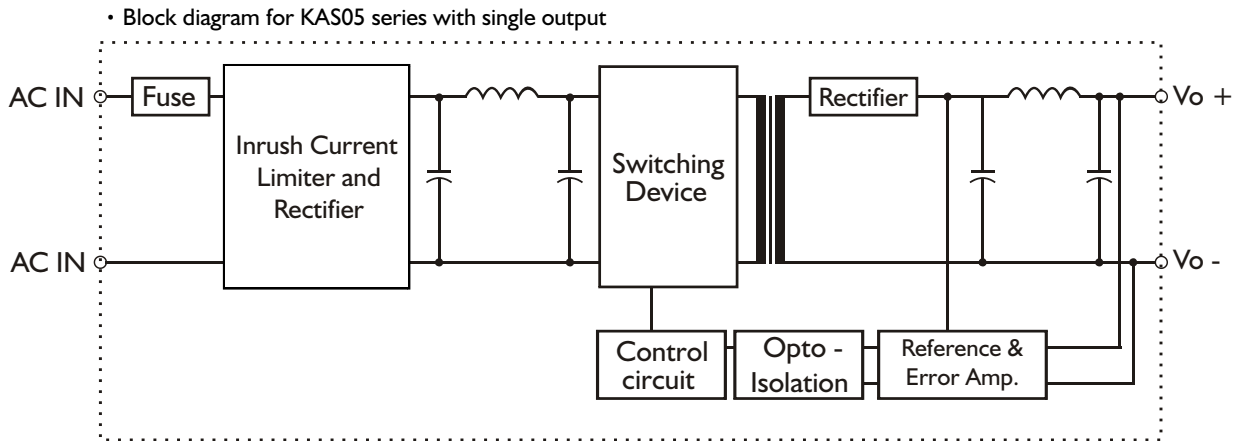
GENERAL TOLERANCE	
0.00[0.00] - 30.00[1.18]	±0.30[0.01]
30.00[1.18] - 120.00[4.72]	±0.50[0.02]

PIN ASSIGNMENT

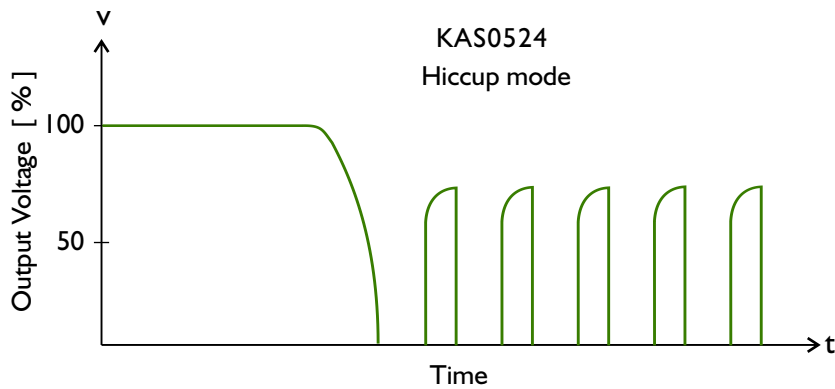
GENERAL

PIN NO.	1	2	3	4
SINGLE	AC IN	AC IN	Vo +	Vo -

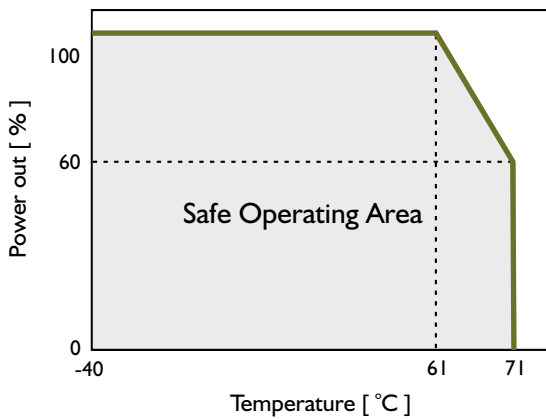
CIRCUIT SCHEMATIC



TYP. CURRENT LIMITED CURVE



DERATING CURVE



TYP. EFFICIENCY CURVE

